

Attenuator

The Best Wireless Solution!

Attenuator, SMA 2Watt 30dB 8GHz

P.N. : F01-B0830-05

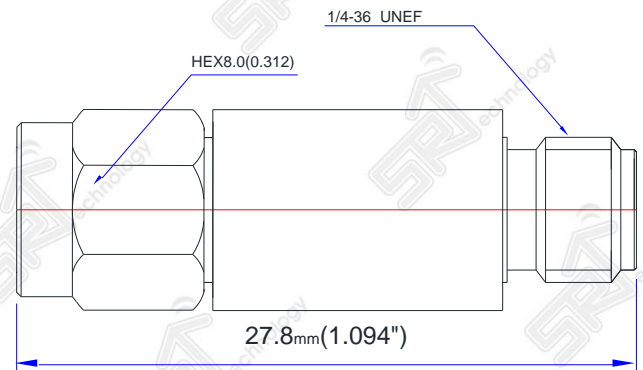
Products feature

- Very Reliable Attenuation & V.S.W.R
- Stainless Steel material
- Wide broadband frequency application
- Bi-Directional 2 Watt rating



Electrical specification

| Item | Specification |
|----------------------|-------------------|
| Frequency Range(GHz) | DC ~ 8 GHz |
| Impedance (Nominal) | 50Ω |
| Attenuation | 30±0.6dB |
| V.S.W.R (Max) | 1.20 : 1 |
| Connector Type | SMA male – female |
| RoHS | Compliance |



Material specification

| Item | Specification |
|----------------------|---------------------------------------|
| Body, Nut | Stainless Steel Passivated |
| Center contact (pin) | Brass, Beryllium Copper/ Gold plating |
| C-ring | Beryllium Copper/ Nickel Plating |
| Insulator | PTFE |

Electrical performance

