

# Attenuator

The Best Wireless Solution!

## Attenuator, SMA 2Watt 1dB 8GHz

P.N. : F01-B0801-05

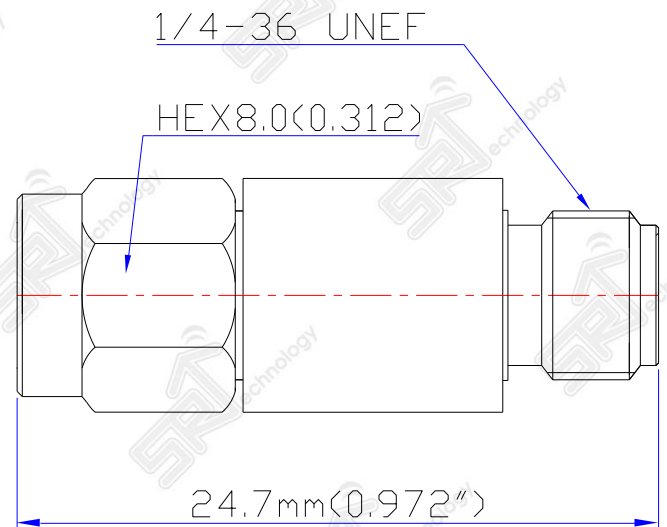
### Products feature

- Very Reliable Attenuation & V.S.W.R
- Stainless Steel material
- Wide broadband frequency application
- Bi-Directional 2 Watt rating



### Electrical specification

Item	Specification
Frequency Range(GHz)	DC ~ 8 GHz
Impedance (Nominal)	50Ω
Attenuation	1±0.35dB
V.S.W.R (Max)	1.20 : 1
Connector Type	SMA male – female
RoHS	Compliance



### Material specification

Item	Specification
Body, Nut	Stainless Steel Passivated
Center contact (pin)	Brass, Beryllium Copper/ Gold plating
C-ring	Beryllium Copper/ Nickel Plating
Insulator	PTFE

### Electrical performance

